

# WINTTECH

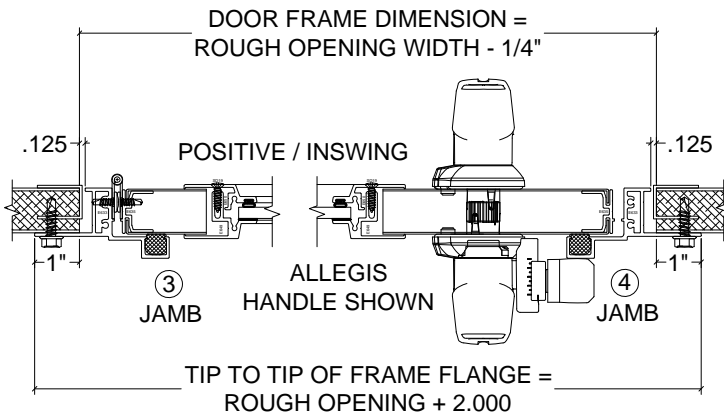
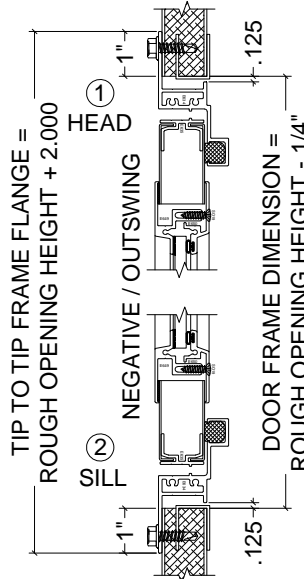
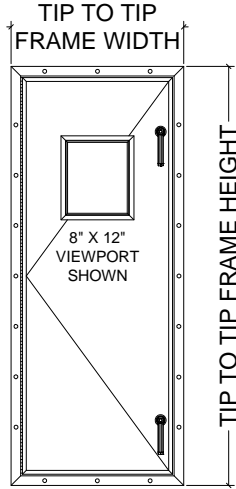
## ACCESS DOORS

# AD1100 1" Non-Thermal Submittal Form

### Specification of Materials Used

AD1100  
NEGATIVE / OUTSWING SHOWN  
AT HEAD & SILL

POSITIVE / INSWING SHOWN AT  
JAMBS



**Door Construction** – 45° degree mitered corners with screw spline assembly:

- Negative (Outswing)       Positive (Inswing)

**Aluminum Extrusions** – Aluminum made of 6063-T6 with minimum wall thickness .062.

**Single Gasket Door (1g)** – One (1) Extruded EPDM continuous rod with single seam located at jamb.

**Foam Door Insulation** – Made from BASF AUTOFROTH® 2 part Expandable Polyurethane Foam. Density of 2.40 lbs/f<sup>3</sup>, and thermal properties of K = 1.90; R<sub>Foam Only</sub> = 6.670.

### Door Panel Skins:

Interior Skin:

---

Exterior Skin:

---

**Hinge/s** - #304 Stainless Steel Piano Hinge:

- 10" Hinges       Continuous Hinges       No Hinges  
(Multiple Hinges)      (Single Hinge)

### Latching Handles:

---

### View Port Glass (if applicable):

- View Port       No View Port
- 8" x 8"       8" x 12"       12" x 12" (*Viewing Size*)

Other: \_\_\_\_\_

Make up: \_\_\_\_\_

### Note and Special Instructions

- ~ Unless otherwise noted, all doors are as viewed from exterior.
- ~ Unless otherwise noted, all doors are dimensioned 1/4" less than clear or rough opening.
- ~ Hinges are opposite latching hardware, unless a plug door or fixed access panel has been supplied.
- ~ Allegis Handles shown on drawings, refer to Latching Handle section for project specific hardware.
- ~ Negative (Outswing) Head, Sill, and Jambs detailed.
- ~ Refer to WinTech Installation Manual for door mounting, maintenance, and cleaning.
- ~ Details are not to scale.

Creation Date: 1/23/2018

Item #: AD-1100

Revision Date: xx/xx/20xx

### Customer Information:

<b>Project:</b>
<b>Customer:</b>
<b>Engineer:</b>
<b>Contractor:</b>