

# WINTTECH

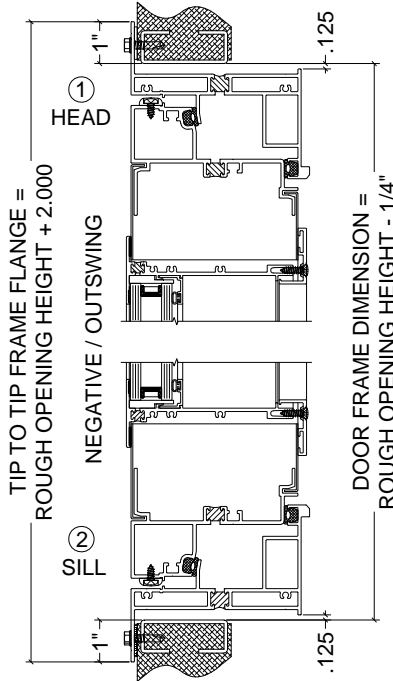
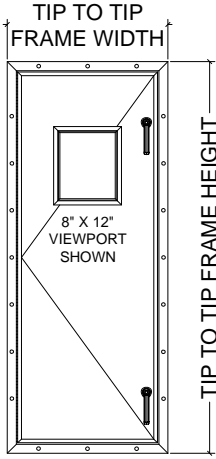
## ACCESS DOORS

# SD4200T 4" Thermal Submittal Form

### Specification of Materials Used

SD4200T  
NEGATIVE / OUTSWING SHOWN  
AT HEAD & SILL

POSITIVE / INSWING SHOWN  
AT JAMBS



**Door Construction** – 45° degree mitered corners with screw spline assembly:

- Negative (Outswing)                       Positive (Inswing)

**Aluminum Extrusions** – Aluminum made of 6063-T6 with minimum wall thickness .080.

**Thermal Break** – Consists of BASF ELASTOCAST® ISOCYANATE 2 part thermal Pour and Debridge.

**Double Gasket Door (2g)** – Two (2) Custom Extruded EPDM Closed Cell sponge gaskets.

**Foam Door Insulation** – Made from BASF AUTOFROTH® 2 part Expandable Polyurethane Foam. Density of 2.40 lbs/f<sup>3</sup>, and thermal properties of K = 1.90; R<sub>Foam Only</sub> = 26.68.

### Door Panel Skins:

Interior Skin:

---

Exterior Skin:

---

**Hinge/s** - #304 Stainless Steel Piano Hinge:

- 10" Hinges                       Continuous Hinges    No Hinges  
(Multiple Hinges)                      (Single Hinge)

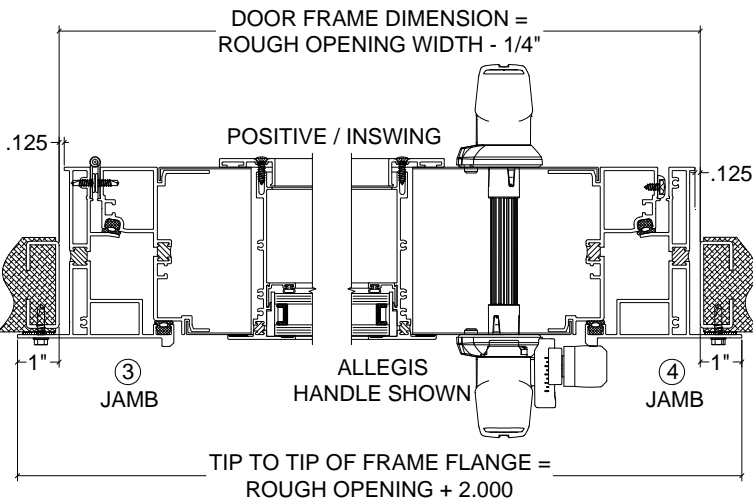
### Latching Handles:

---

**View Port Glass (if applicable):**

- View Port                                       No View Port
- 8" x 8"                       8" x 12"                       12" x 12" (*Viewing Size*)
- Other: \_\_\_\_\_

Make up: \_\_\_\_\_



### Note and Special Instructions

- ~ Unless otherwise noted, all doors are as viewed from exterior.
- ~ Unless otherwise noted, all doors are dimensioned 1/4" less than clear or rough opening.
- ~ Hinges are opposite latching hardware, unless a plug door or fixed access panel has been supplied.
- ~ Allegis Handles shown on drawings, refer to Latching Handle section for project specific hardware.
- ~ Negative (Outswing) Head and Sill detailed. Positive (Inswing) Jambs detailed.
- ~ Door frame is weeped at sill, do not install upside down.
- ~ Refer to WinTech Installation Manual for door mounting, maintenance, and cleaning.
- ~ Details are not to scale.

### Customer Information:

<b>Project:</b>
<b>Customer:</b>
<b>Engineer:</b>
<b>Contractor:</b>