

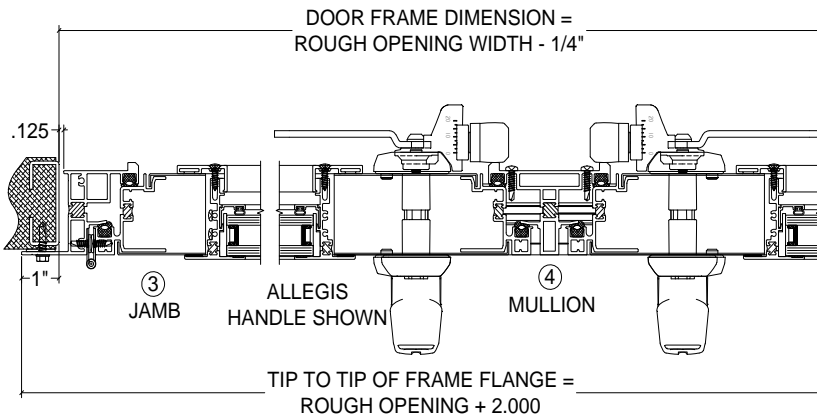
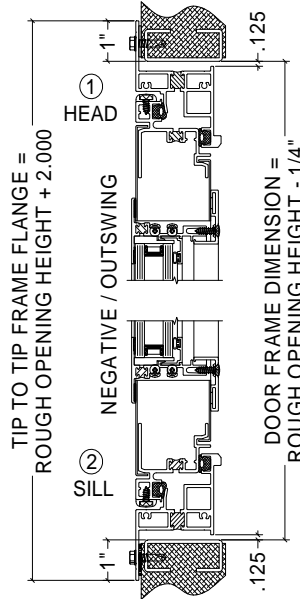
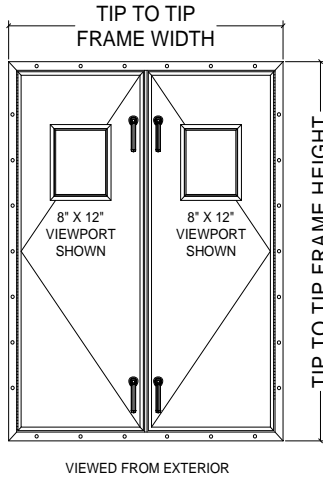
# WINTECH

## ACCESS DOORS

# SD2200T Twin 2" Thermal Submittal Form

### Specification of Materials Used

SD2200T TWIN  
NEGATIVE / OUTSWING ONLY



**Door Construction** – 45° degree mitered corners with screw spline assembly:

- Negative (Outswing)

**Aluminum Extrusions** – Aluminum made of 6063-T6 with minimum wall thickness .080.

**Thermal Break** – Consists of BASF ELASTOCAST® ISOCYANATE 2 part thermal Pour and Debridge.

**Double Gasket Door (2g)** – Two (2) Custom Extruded EPDM Closed Cell sponge gaskets.

**Foam Door Insulation** – Made from BASF AUTOFROTH® 2 part Expandable Polyurethane Foam. Density of 2.40 lbs/f<sup>3</sup>, and thermal properties of K = 1.90; R<sub>Foam Only</sub> = 13.34.

### Door Panel Skins:

Interior Skin: \_\_\_\_\_

Exterior Skin: \_\_\_\_\_

**Hinge/s** - #304 Stainless Steel Piano Hinge:

- 10" Hinges
- Continuous Hinges
- No Hinges
- (Multiple Hinges)                      (Single Hinge)

### Latching Handles:

**View Port Glass (if applicable):**

- View Port
- No View Port
- 8" x 8"
- 8" x 12"
- 12" x 12" (*Viewing Size*)
- Other: \_\_\_\_\_

Make up: \_\_\_\_\_

### Mullion Type:

- Applied
- Removable

### Note and Special Instructions

- ~ Unless otherwise noted, all doors are as viewed from exterior.
- ~ Unless otherwise noted, all doors are dimensioned 1/4" less than clear or rough opening.
- ~ Hinges are opposite latching hardware, unless a plug door or fixed access panel has been supplied.
- ~ Allegis Handles shown on drawings, refer to Latching Handle section for project specific hardware.
- ~ Negative (Outswing) is only configuration applicable with twin
- ~ Door frame is weeped at sill, do not install upside down.
- ~ Refer to WinTech Installation Manual for door mounting, maintenance, and cleaning.
- ~ Details are not to scale.

### Customer Information:

<b>Project:</b>
<b>Customer:</b>
<b>Engineer:</b>
<b>Contractor:</b>